

轉矩馬達  
TORQUE MOTOR

**TPG** 轉矩馬達  
1KG~50KG-CM TORQUE MOTOR

轉矩馬達  
TORQUE MOTOR

### 轉矩馬達型號對照表 Torque Motor Catal. No. Guide

**T** — **V** — **4** — **010** — **5** — **22** — **A**

**T** = 轉矩馬達  
**T** = TORQUE MOTOR

**V** = 立式 VERTICAL TYPE  
**H** = 臥式 HORIZONTAL TYPE

**4** = 4P  
**6** = 6P  
**8** = 8P

**010** = 10kg-cm=0.1kg-m  
001=1kg-cm=0.01kg-m  
005=5kg-cm=0.05kg-m  
030=30kg-cm=0.3kg-m  
050=50kg-cm=0.5kg-m  
100=100kg-cm=1kg-m  
200=200kg-cm=2kg-m  
500=500kg-cm=5kg-m

**5** = 50HZ  
**6** = 60HZ

**22** = 220V 38=380V  
41=415V 44=440V  
48=480V

**A** = 單相 1 Phase  
**S** = 三相 3 Phase

### 控制器型號對照表 Control Catal. No. Guide

**S** — **A** — **22** — **08**

**L** = 自耦式  
**L** = SLIDAC  
**E** = 電子式  
**E** = ELECTRONIC TYPE

**A** = 單相 1 Phase  
**S** = 三相 3 Phase

**22** = 220V  
34=380~415V  
44=440~480V

**08** = 8Amp  
16=16Amp  
30=30Amp

### 極數和同步回轉數 Pole & Speed

| 極數<br>Pole | 同步速度<br>RPM |      | 實際使用速度範圍<br>Speed range |        |
|------------|-------------|------|-------------------------|--------|
|            | 50HZ        | 60HZ | 50HZ                    | 60HZ   |
| 4          | 1500        | 1800 | 0~1000                  | 0~1200 |
| 6          | 1000        | 1200 | 0~670                   | 0~800  |
| 8          | 750         | 900  | 0~500                   | 0~600  |

### 轉矩馬達額定電流表 Torque Motor Current Data.

60HZ

| 框號<br>Frame size | 額定轉矩<br>Torque |       |      | 4極(Pole)最高電流(Amp)<br>Current |      |      | 框號<br>Frame size | 額定轉矩<br>Torque |       |      | 6極(Pole)最高電流(Amp)<br>Current |      |      | 框號<br>Frame size | 額定轉矩<br>Torque |       |      | 8極(Pole)最高電流(Amp)<br>Current |      |      |
|------------------|----------------|-------|------|------------------------------|------|------|------------------|----------------|-------|------|------------------------------|------|------|------------------|----------------|-------|------|------------------------------|------|------|
|                  | No.            | Kg-cm | Kg-m | 220V                         | 380V | 440V |                  | No.            | Kg-cm | Kg-m | 220V                         | 380V | 440V |                  | No.            | Kg-cm | Kg-m | 220V                         | 380V | 440V |
| 1                | 1              |       |      | 0.26                         | 0.15 | 0.13 | 1                | 2              |       | 0.4  | 0.23                         | 0.2  | 1    |                  |                |       |      |                              |      |      |
| 2                | 3              |       |      | 0.65                         | 0.38 | 0.33 | 2                | 3              |       | 0.45 | 0.26                         | 0.23 | 2    |                  |                |       |      |                              |      |      |
| 3                | 5              |       |      | 0.8                          | 0.46 | 0.4  | 3                | 5              |       | 0.6  | 0.35                         | 0.3  | 3    | 5                |                | 0.4   | 0.23 | 0.2                          |      |      |
| 3L               | 7.5            |       |      | 1                            | 0.57 | 0.4  | 3                | 7.5            |       | 0.7  | 0.4                          | 0.35 | 3    | 7.5              |                | 0.6   | 0.35 | 0.3                          |      |      |
| 4                | 10             | 0.1   | 1.5  | 0.86                         | 0.75 |      | 3L               | 10             | 0.1   | 1.3  | 0.75                         | 0.65 | 3L   | 10               | 0.1            | 1     | 0.58 | 0.5                          |      |      |
| 5                |                | 0.15  | 2    | 1.16                         | 1    |      | 4                |                | 0.15  | 1.8  | 1                            | 0.9  | 4    |                  | 0.15           | 1.4   | 0.8  | 0.7                          |      |      |
| 5                |                | 0.2   | 3    | 1.73                         | 1.5  |      | 5                |                | 0.2   | 2.7  | 1.56                         | 1.35 | 5    |                  | 0.2            | 2     | 1.16 | 1                            |      |      |
| 6                |                | 0.3   | 4.5  | 2.6                          | 2.3  |      | 6                |                | 0.3   | 3.6  | 2.08                         | 1.8  | 6    |                  | 0.3            | 3     | 1.73 | 1.5                          |      |      |
| 6L               |                | 0.4   | 5.95 | 3.4                          | 2.98 |      | 6L               |                | 0.4   | 4.8  | 2.77                         | 2.4  | 6L   |                  | 0.4            | 4     | 2.3  | 2                            |      |      |
| 6L               |                | 0.5   | 7.4  | 4.3                          | 3.8  |      | 6L               |                | 0.5   | 6    | 3.47                         | 3    | 6L   |                  | 0.5            | 5     | 2.89 | 2.5                          |      |      |
| 6L               |                | 0.75  | 10   | 5.8                          | 5    |      | 6L               |                | 0.75  | 8    | 4.6                          | 4    | 6L   |                  | 0.75           | 6     | 3.47 | 3                            |      |      |
| 7                |                | 0.75  | 10   | 5.8                          | 5    |      | 7                |                | 1     | 12   | 7                            | 6    | 7    |                  | 1              | 10    | 5.78 | 5                            |      |      |
| 7L               |                | 1     | 14   | 8                            | 7    |      | 7L               |                | 1.5   | 14   | 8                            | 7    | 7L   |                  | 1.5            | 12    | 7    | 6                            |      |      |
| 8                |                | 1.5   | 20   | 11.6                         | 10   |      | 8                |                | 2     | 20   | 11.6                         | 10   | 8    |                  | 2              | 16    | 9.2  | 8                            |      |      |
| 8L               |                | 2     | 28   | 16                           | 14   |      | 8L               |                | 3     | 32   | 18.5                         | 16   | 8L   |                  | 3              | 24    | 13.9 | 12                           |      |      |
| 9                |                | 3     | 42   | 28                           | 21   |      | 9                |                | 5     | 54   | 32                           | 27   |      |                  |                |       |      |                              |      |      |

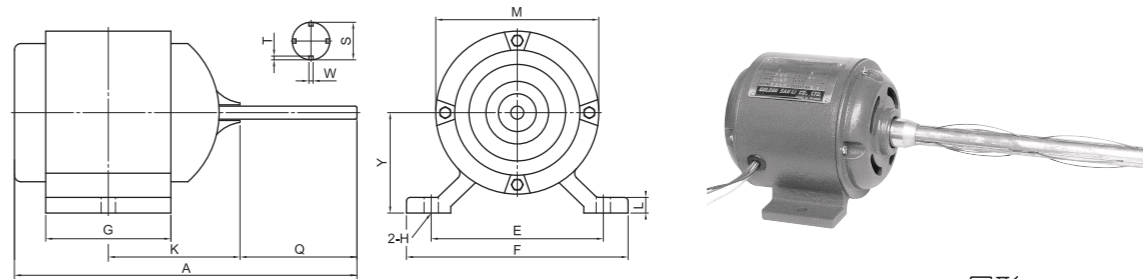
註：1.上述數據僅供參考，如有變更，恕不另行通知。  
2.表內之額定轉矩為額定速度時之轉矩，最大轉矩為額定轉矩之200%。

Remarks: 1.Above figures are only for reference purpose. Any update will be made by render without any advice in advance.  
2.Above torque value is listed base on the certain pole RPM and the max. torque can be 2 times listed torque.

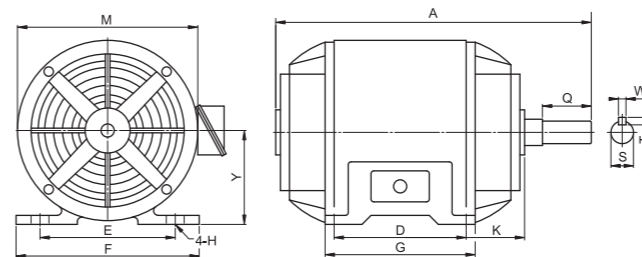
### 尺寸表 Dimension

mm

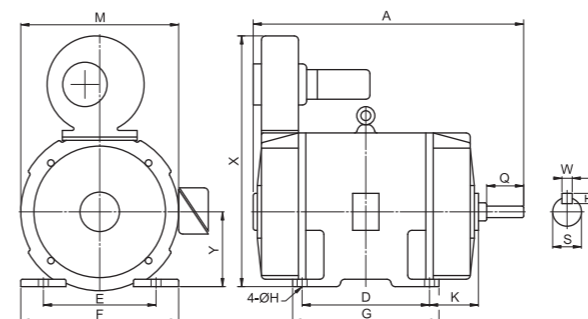
| 圖形<br>Drawing<br>No. | 框號<br>Frame<br>No. | 轉矩 Torque (kg-cm) |     |     | A       | 腳架尺寸 FOOT DIMENSION |     |     |     |    | L  | K  | M   | Y   | X   | 出力軸端 OUTPUT SHAFT |      |    |    |
|----------------------|--------------------|-------------------|-----|-----|---------|---------------------|-----|-----|-----|----|----|----|-----|-----|-----|-------------------|------|----|----|
|                      |                    | 4P                | 6P  | 8P  |         | D                   | E   | G   | F   | H  |    |    |     |     |     | Q                 | S    | T  | W  |
| 1                    | 1                  | 1                 | 2   |     | 371     |                     | 120 | 82  | 140 | 11 | 12 | 61 | 125 | 68  | 140 | 240               | 19.2 | 2  | 2  |
| 1                    | 2                  | 3                 | 3   |     | 388     |                     | 120 | 96  | 149 | 11 | 12 | 64 | 132 | 72  |     | 240               | 19.2 | 2  | 2  |
| 2                    | 3                  | 5                 | 7.5 | 75  | 265/285 | 125                 | 150 | 155 | 195 | 11 | 12 | 45 | 192 | 100 | 195 | 45                | 14   |    |    |
| 2                    | 3L                 | 7.5               | 10  | 10  | 265/285 | 125                 | 150 | 155 | 195 | 11 | 12 | 45 | 192 | 100 | 195 | 45                | 14   |    |    |
| 3                    | 4                  | 10                | 15  | 15  | 265/285 | 125                 | 150 | 155 | 195 | 11 | 12 | 45 | 192 | 100 | 357 | 45                | 16   | 5  | 5  |
| 3                    | 5                  | 15/20             | 20  | 20  | 265/285 | 125                 | 150 | 155 | 195 | 11 | 12 | 45 | 192 | 100 | 357 | 45                | 16   | 5  | 5  |
| 3                    | 6                  | 30                | 30  | 30  | 343     | 140                 | 190 | 173 | 235 | 12 | 12 | 73 | 230 | 115 | 396 | 50                | 22   | 7  | 7  |
| 3                    | 6L                 | 40                | 40  | 40  | 343     | 140                 | 190 | 173 | 235 | 12 | 12 | 73 | 230 | 115 | 396 | 50                | 22   | 7  | 7  |
| 3                    | 6L                 | 50                | 50  | 50  | 343     | 140                 | 190 | 173 | 235 | 12 | 12 | 73 | 230 | 115 | 396 | 50                | 22   | 7  | 7  |
| 3                    | 6L                 | 75                | 75  | 75  | 343     | 140                 | 190 | 173 | 235 | 12 | 12 | 73 | 230 | 115 | 396 | 50                | 22   | 7  | 7  |
| 3                    | 7                  | 75                | 100 | 100 | 380     | 140                 | 220 | 190 | 280 | 12 | 17 | 85 | 268 | 135 | 470 | 60                | 28   | 7  | 7  |
| 3                    | 7L                 | 100               | 150 | 150 | 420     | 180                 | 220 | 230 | 280 | 12 | 17 | 85 | 268 | 135 | 470 | 60                | 28   | 7  | 7  |
| 3                    | 8                  | 150               | 200 | 200 | 470     | 210                 | 250 | 270 | 320 | 15 | 26 | 85 | 320 | 165 | 560 | 80                | 35   | 10 | 10 |
| 3                    | 8L                 | 200               | 300 | 300 | 510     | 250                 | 250 | 310 | 320 | 15 | 26 | 85 | 320 | 165 | 560 | 80                | 35   | 10 | 10 |
| 3                    | 9                  | 300               | 500 | 500 | 510     | 250                 | 250 | 310 | 320 | 15 | 26 | 85 | 320 | 165 | 560 | 80                | 35   | 10 | 10 |



圖形一 Drawing No.1



圖形二 Drawing No.2

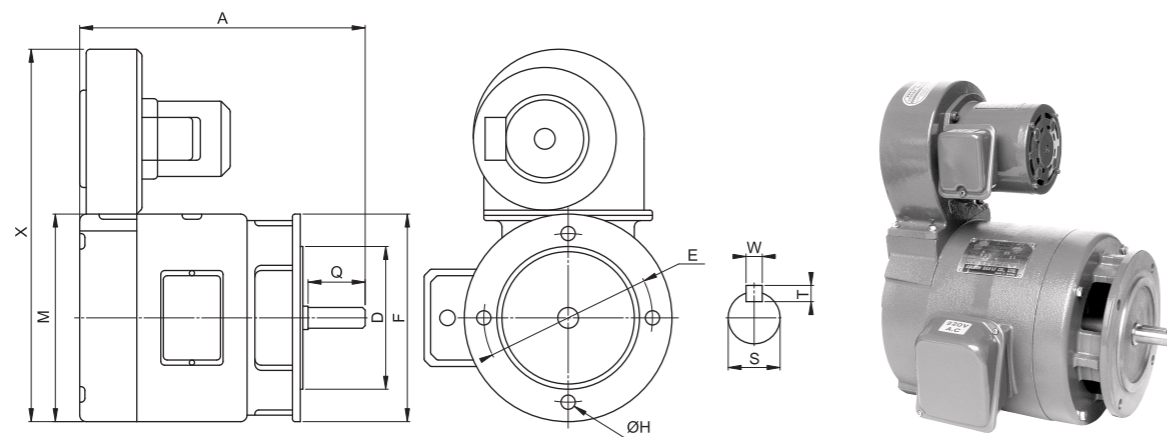


圖形三 Drawing No.3

尺寸表 Dimension

mm

| 容量<br>Torque (kg-cm) | 腳架尺寸 FOOT DIMENSION |     |     |         |     |     |    | 出力軸端 Output Shaft |    |   |   |
|----------------------|---------------------|-----|-----|---------|-----|-----|----|-------------------|----|---|---|
|                      | F                   | E   | D   | A       | M   | X   | H  | Q                 | S  | W | T |
| 7.5 ~ 20             | 160                 | 130 | 110 | 290/280 | 195 | 360 | 11 | 40                | 16 | 5 | 5 |
|                      |                     |     |     |         |     |     |    | 30                | 14 | 5 | 5 |
| 30 ~ 50              | 200                 | 165 | 130 | 340     | 230 | 410 | 13 | 40                | 19 | 6 | 6 |
| 75                   | 200                 | 165 | 130 | 350     | 230 | 410 | 13 | 50                | 24 | 8 | 8 |



## 電子式轉矩控制器 Electronic Control

